

**STORM SHUTTER TYPE A**  
EXTERIOR VIEW

DESIGN PRESSURE RATING	IMPACT RATING
±50PSF	LARGE AND SMALL MISSILE IMPACT

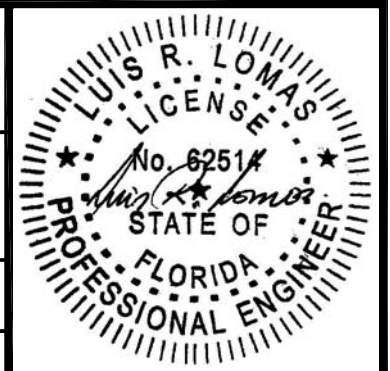
REVISIONS			
REV	DESCRIPTION	DATE	APPROVED
A	CORRECTED NOTE CALLOUT	6/30/11	R.L.

NOTES:

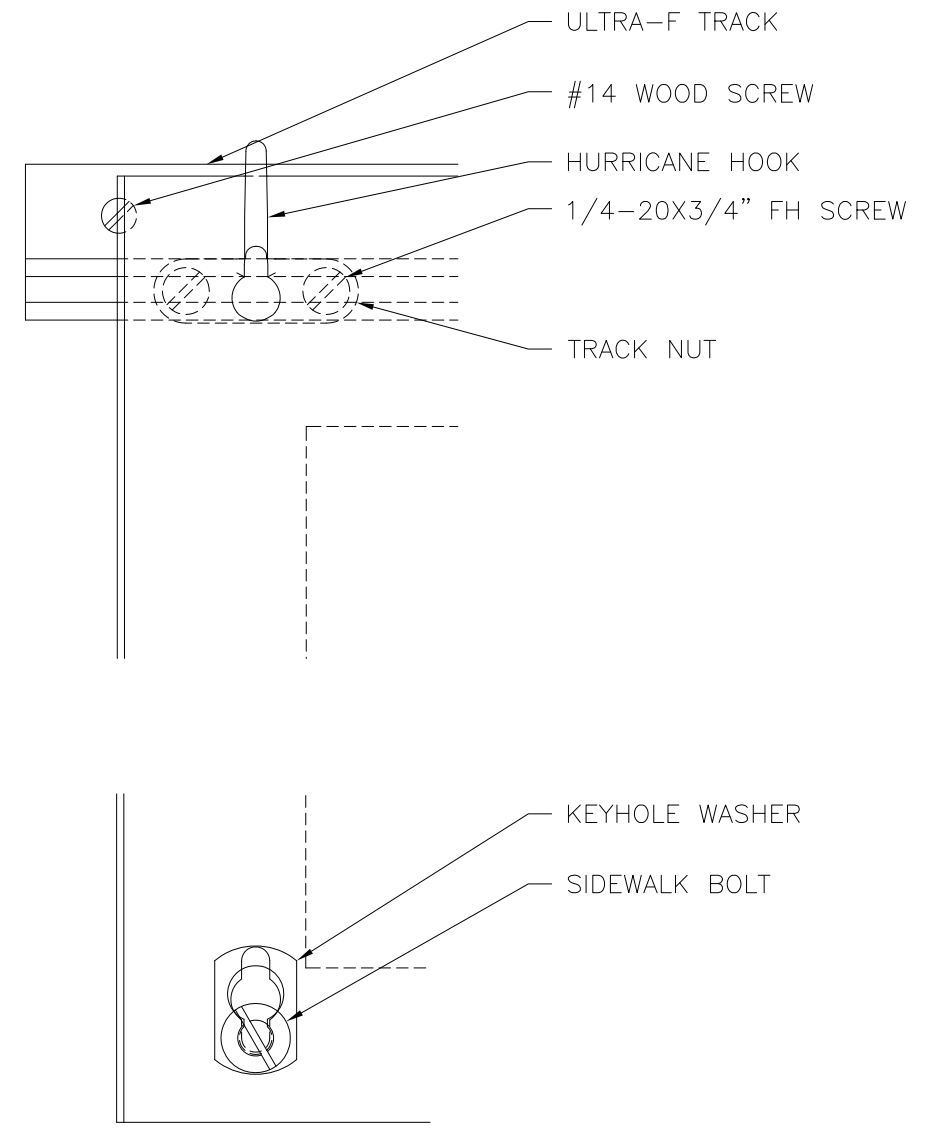
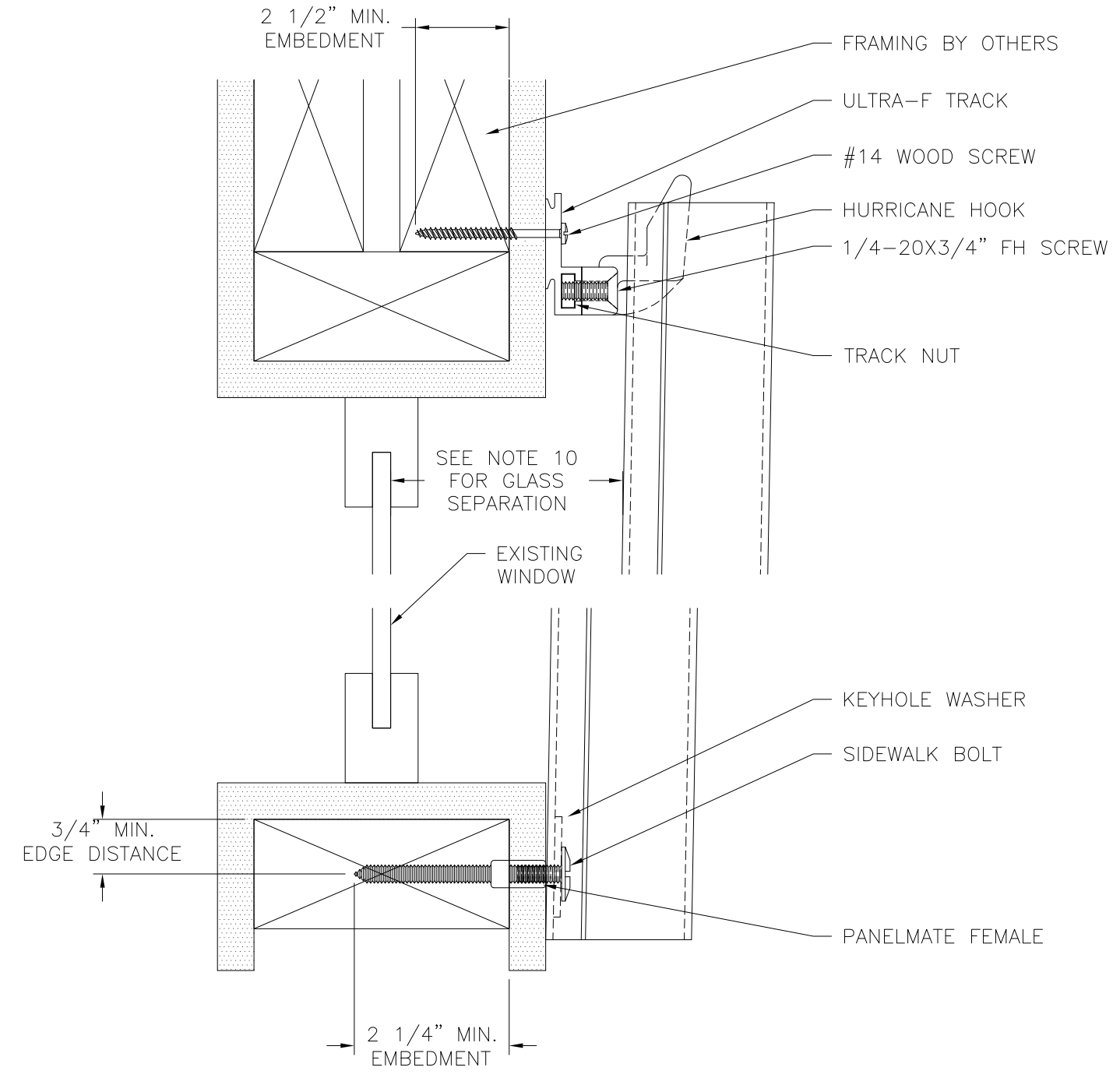
- 1) THE PRODUCT SHOWN HEREIN IS DESIGNED AND MANUFACTURED TO COMPLY WITH REQUIREMENTS OF THE FLORIDA BUILDING CODE.
- 2) WOOD FRAMING AND MASONRY OPENING TO BE DESIGNED AND ANCHORED TO PROPERLY TRANSFER ALL LOADS TO STRUCTURE. FRAMING AND MASONRY OPENING IS THE RESPONSIBILITY OF THE ARCHITECT OR ENGINEER OF RECORD.
- 3) ALLOWABLE STRESS INCREASE OF 1/3 WAS NOT USED IN THE DESIGN OF THE PRODUCT SHOWN HEREIN. WIND LOAD DURATION FACTOR Cd=1.6 WAS USED FOR WOOD ANCHOR CALCULATIONS.
- 4) PANEL MATERIAL: CORRUGATED POLYCARBONATE
- 5) FOR ANCHORING INTO WOOD FRAMING OR 2X BUCK USE #14 WOOD SCREW WITH SUFFICIENT LENGTH TO ACHIEVE A 2 1/2" MINIMUM EMBEDMENT INTO SUBSTRATE. OR 1/4" FEMALE PANELMATE WITH A 2 1/4" MINIMUM EMBEDMENT INTO SUBSTRATE AND SIDEWALK BOLT. LOCATE ANCHORS AS SHOWN IN ELEVATIONS AND INSTALLATION DETAILS.
- 6) FOR ANCHORING INTO MASONRY/CONCRETE USE 1/4" ITW TAPCONS WITH SUFFICIENT LENGTH TO ACHIEVE A 1 3/4" MINIMUM EMBEDMENT INTO SUBSTRATE WITH 2 5/8" MINIMUM EDGE DISTANCE OR PANELMATE FEMALE INSERT WITH A 1 1/2" MINIMUM EMBEDMENT INTO SUBSTRATE. LOCATE ANCHORS AS SHOWN IN ELEVATIONS AND INSTALLATION DETAILS.
- 7) FOR ANCHORING INTO BRICK VENEER USE PANELMATE TVAS MALE OR FEMALE WITH 2 5/8" MINIMUM EMBEDMENT. LOCATE ANCHORS AS SHOWN IN ELEVATIONS AND INSTALLATION DETAILS.
- 8) ALL FASTENERS TO BE CORROSION RESISTANT.
- 9) INSTALLATION ANCHORS SHALL BE INSTALLED IN ACCORDANCE WITH ANCHOR MANUFACTURER'S INSTALLATION INSTRUCTIONS, AND ANCHORS SHALL NOT BE USED IN SUBSTRATES WITH STRENGTHS LESS THAN THE MINIMUM STRENGTH SPECIFIED BELOW:
  - A. WOOD – MINIMUM SPECIFIC GRAVITY OF G=0.5
  - B. CONCRETE – MINIMUM COMPRESSIVE STRENGTH OF 3,192 PSI.
  - C. MASONRY – STRENGTH CONFORMANCE TO ASTM C-90, GRADE N, TYPE 1 (OR GREATER).
- 10) INSIDE WIND ZONES 1, 2 AND 3 SEPARATION FROM GLASS IS NOT REQUIRED. INSIDE WIND ZONE 4 SEPARATION FROM GLASS MUST BE 8 1/2" MINIMUM.

SIGNED: 06/30/2011

VUSAFE INDUSTRIES, LLC 350 KIDDS HILL ROAD HYANNIS, MA 02601		
STORM SHUTTER TYPE A 108" HEIGHT ELEVATION AND NOTES		
DRAWN: R.L.	DWG NO. 08-01260	REV A
SCALE NTS	DATE 06/20/11	SHEET 1 OF 4



REVISIONS			
REV	DESCRIPTION	DATE	APPROVED
A	CORRECTED NOTE CALLOUT	6/30/11	R.L.

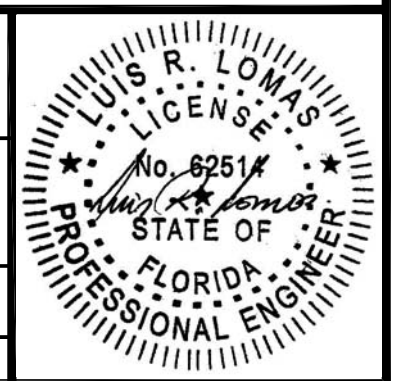


**VERTICAL CROSS SECTION**  
 WOOD FRAMING INSTALLATION  
 PANEL TO OVERLAP OPENING  
 2 1/4" MIN. AT HEAD AND SILL

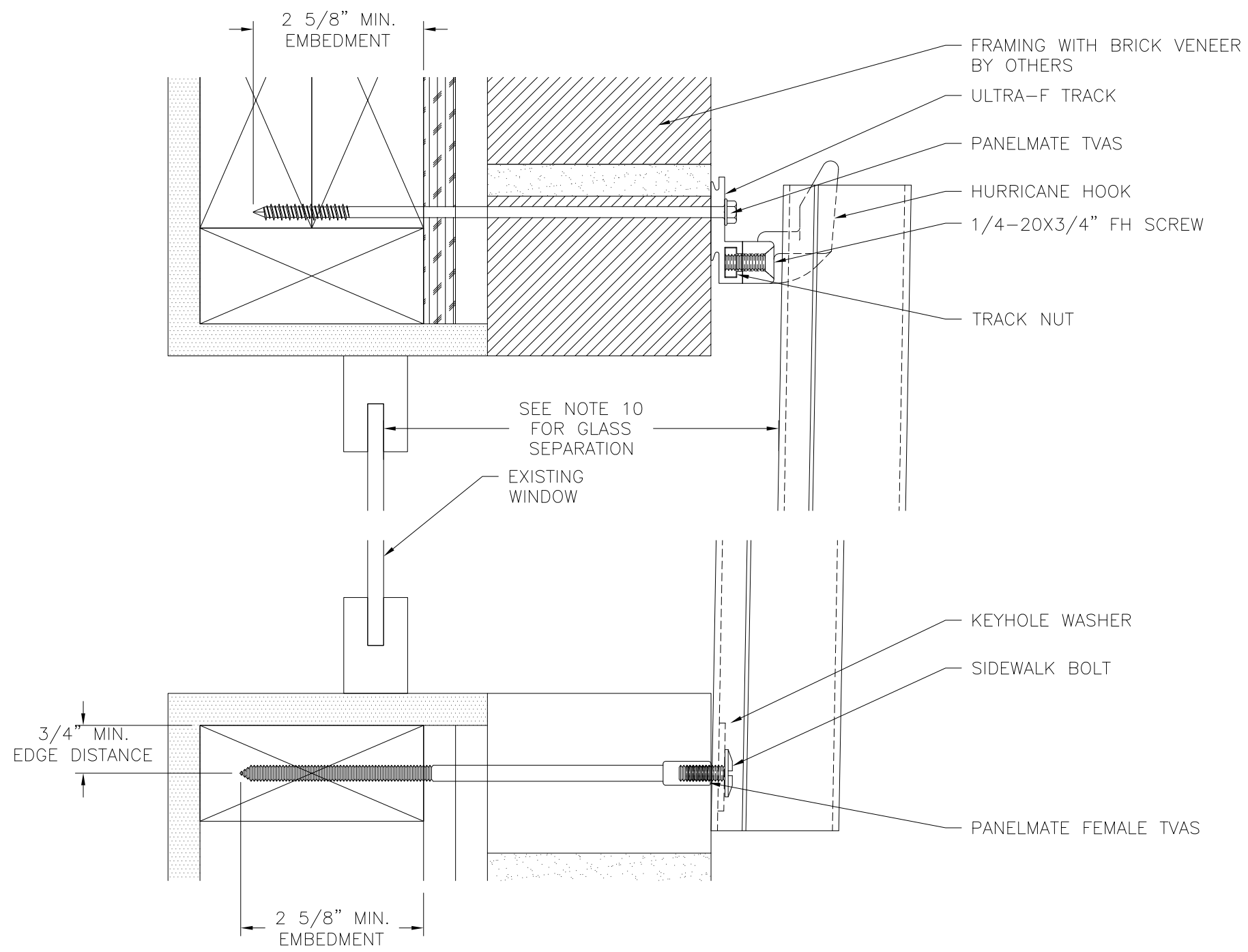
VUSAFE INDUSTRIES, LLC  
 350 KIDDS HILL ROAD  
 HYANNIS, MA 02601

STORM SHUTTER TYPE A  
 108" HEIGHT  
 INSTALLATION DETAILS

DRAWN: R.L.	DWG NO. 08-01260	REV A
SCALE NTS	DATE 06/20/11	SHEET 2 OF 4



REVISIONS			
REV	DESCRIPTION	DATE	APPROVED
A	CORRECTED NOTE CALLOUT	6/30/11	R.L.

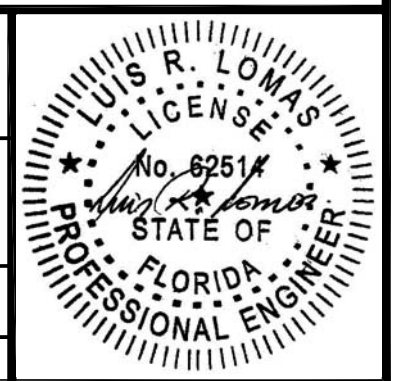


**VERTICAL CROSS SECTION**  
 BRICK VENEER INSTALLATION  
 PANEL TO OVERLAP OPENING  
 2 1/4" MIN. AT HEAD AND SILL

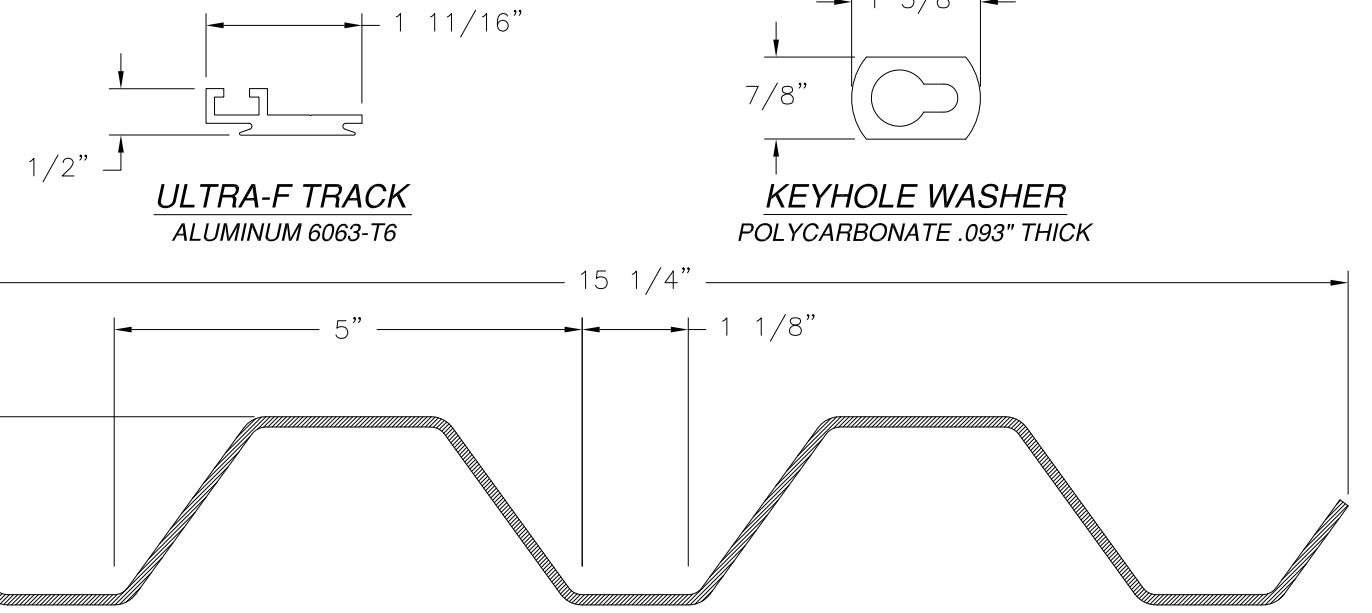
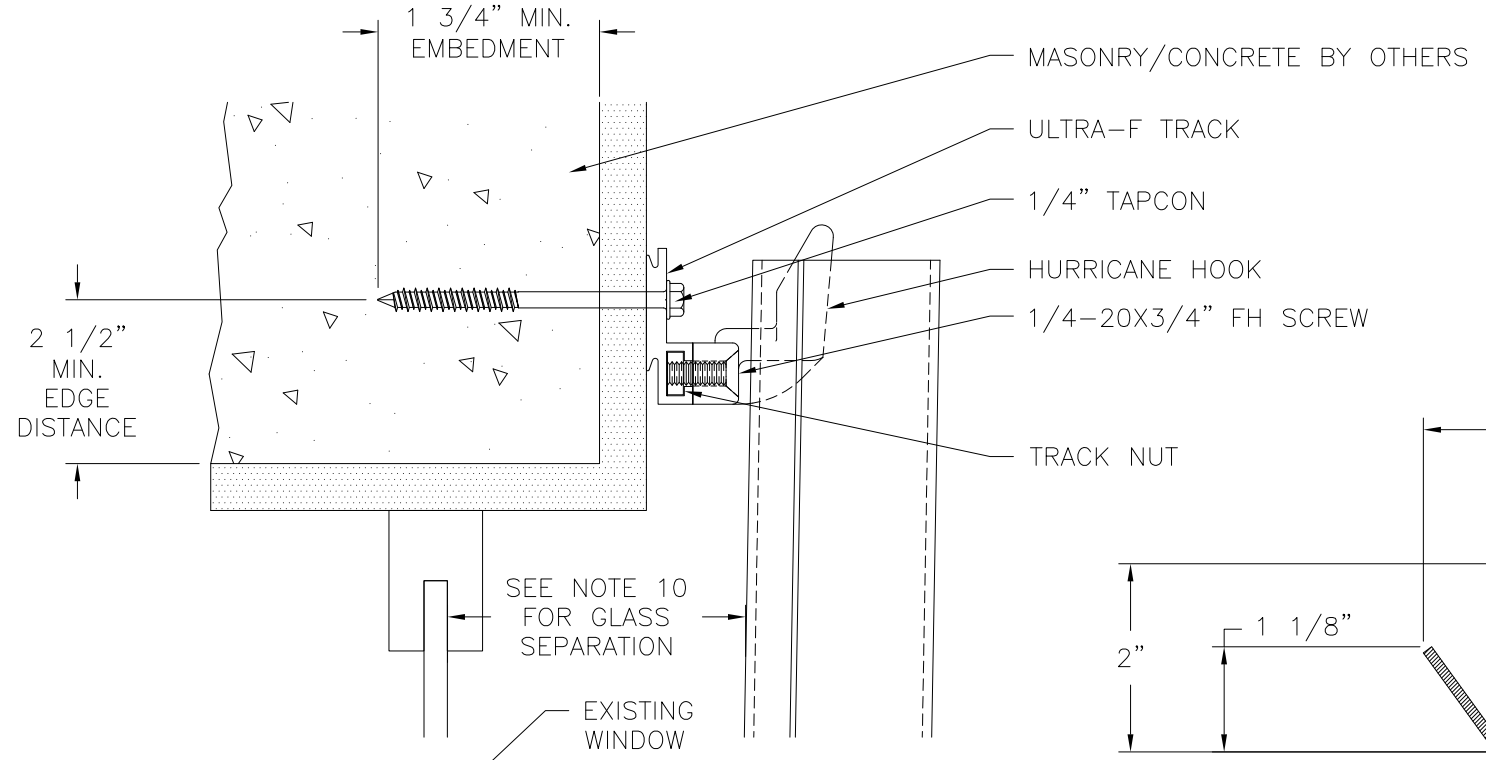
VUSAFE INDUSTRIES, LLC  
 350 KIDDS HILL ROAD  
 HYANNIS, MA 02601

STORM SHUTTER TYPE A  
 108" HEIGHT  
 INSTALLATION DETAILS

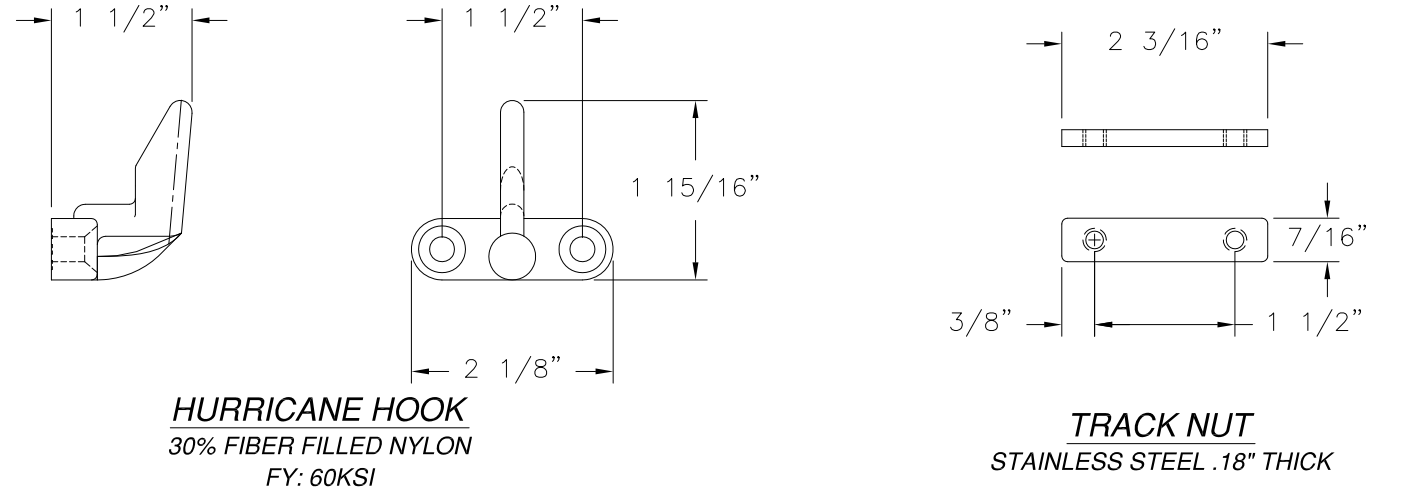
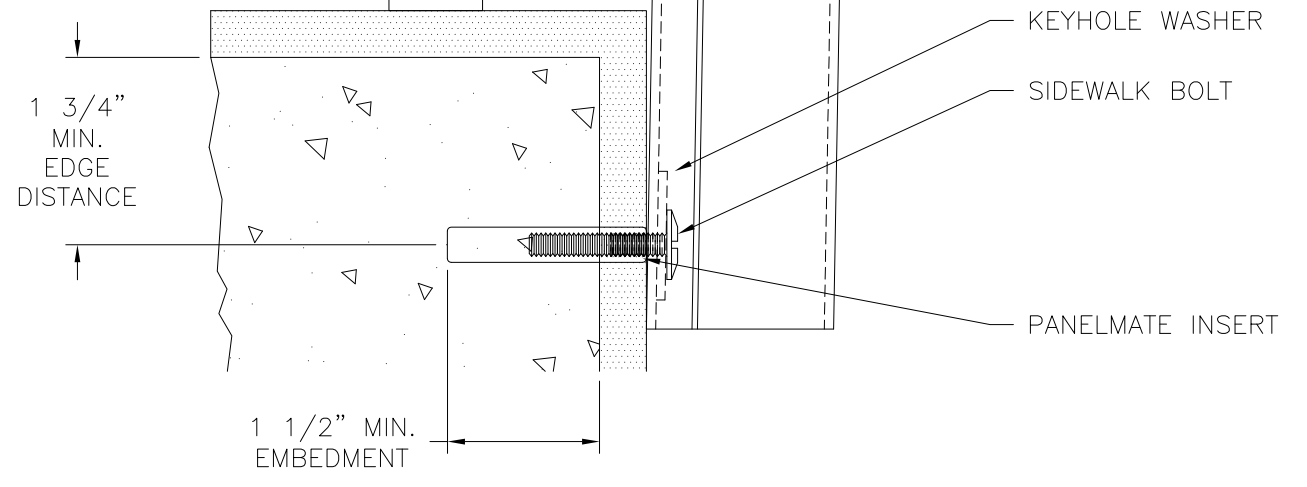
DRAWN: R.L.	DWG NO. 08-01260	REV A
SCALE NTS	DATE 06/20/11	SHEET 3 OF 4



REVISIONS			
REV	DESCRIPTION	DATE	APPROVED
A	CORRECTED NOTE CALLOUT	6/30/11	R.L.



**VUSAFE PANEL**  
SYNTHETIC THERMOPLASTIC POLYMERMAKROLONRESIN  
FY: 9.43KSI



**VERTICAL CROSS SECTION**  
MASONRY/CONCRETE INSTALLATION  
PANEL TO OVERLAP OPENING  
2 1/4" MIN. AT HEAD AND SILL

VUSAFE INDUSTRIES, LLC  
350 KIDDS HILL ROAD  
HYANNIS, MA 02601

STORM SHUTTER TYPE A  
108" HEIGHT  
INSTALLATION DETAILS AND COMPONENTS

DRAWN: R.L.	DWG NO. 08-01260	REV A
SCALE NTS	DATE 06/20/11	SHEET 4 OF 4

